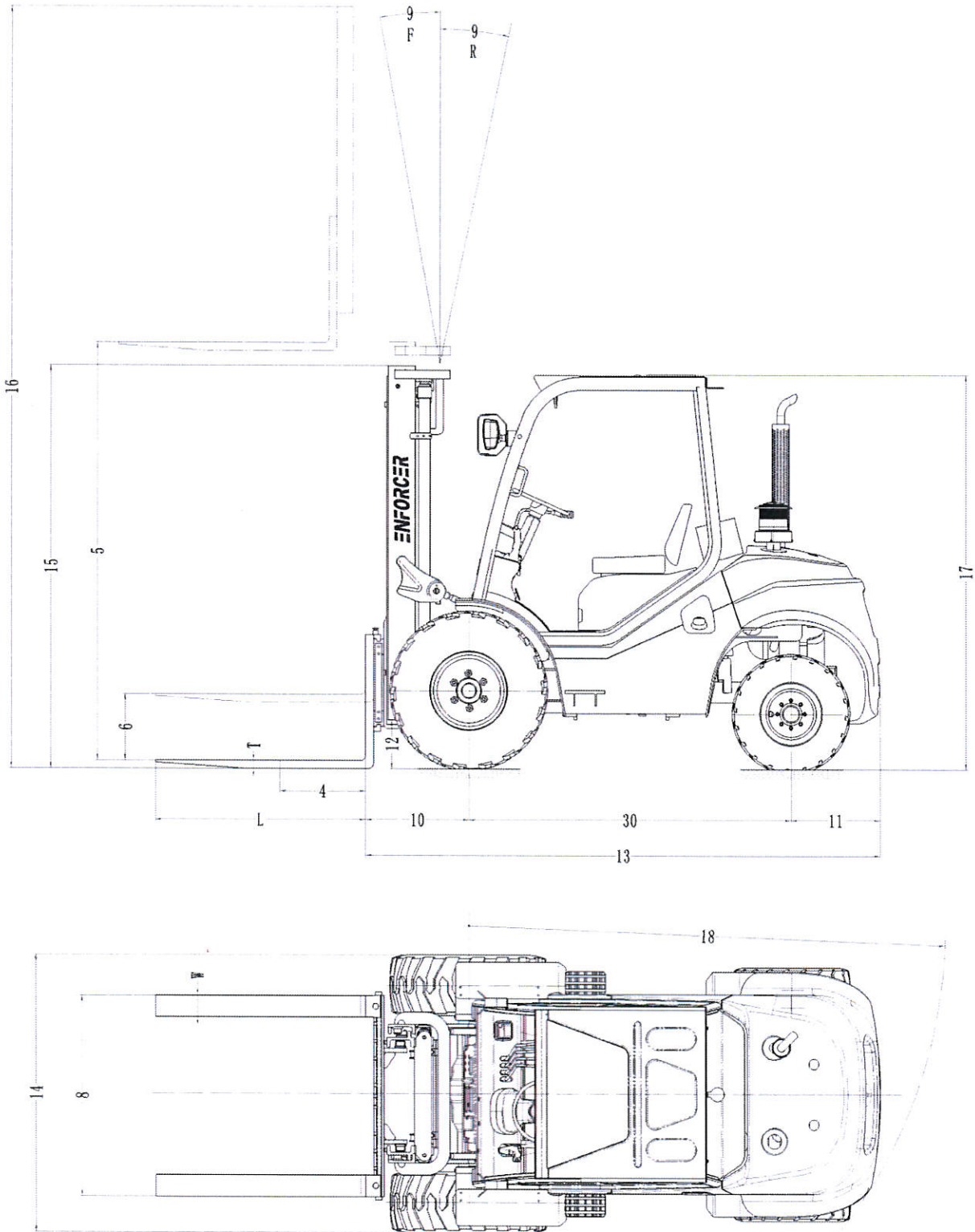


Load Chart



Specification

Rough terrain diesel forklift								
General	1	Model			FD25T-CWE3	FD35T-CWE3		
	2	Power type			Diesel			
	3	Rated capacity		Kg	2500	3500		
	4	Load centre		mm	500			
Characteristic&Dimension	5	Lift height		mm	3000			
	6	Free lift height		mm	160	165		
	7	Fork size	L×W×T		mm	1100x122x40	1220x122x40	
	8	Fork regulating range	Min./Max.		mm	250-1160		
	9	Mast tilt angle	F/R		Deg	10°/12°		
	10	Front overhang		mm	586	601		
	11	Rear overhang		mm	520			
	12	Min. ground clearance		mm	270			
	14	Overall dimensions	Length to face of fork (without fork)		mm	2946	2956	
	15		Overall width		mm	1557.5	1600.5	
	16		Mast lowered height		mm	2265	2330	
	17		Mast extended height (with backrest)		mm	4175	4305	
	18		Overhead guard height		mm	2256.5	2276	
	19	Turning radius(outside)		mm	2783			
20	Min. right angle stacking aisle width (add load length and clearance)		mm	4795	4805			
Performance	21	Speed	Travel(Unladen/Laden)		Km/h	20/18	22/22	
	22		Lifting(Unladen/Laden)		mm/s	600/570	480/450	
	23		Lowering(Unladen/Laden)		mm/s	420/445	400/500	
	24	Max. Drawbar pull(Laden/unladen)		KN	17000			
	25	Max. Gradeability(Loaden)		%	20	16		
Tyre	26	Tyre	Front			12-16.5-14PR	14-17.5-14PR	
			Rear			27×10-12-12PR	27×10-12-12PR	
	27	Tread	Front		mm	1250.5		
			Rear		mm	1205		
	28	Tyre pressure	Front		bar	680	680	
			Rear		bar	650	650	
29	Seat to ceiling inside height		mm	1010				
30	Wheelbase		mm	1880				
Weight	31	Self weight		kg	4465	5180		
	32	Weight Distribution	Laden	Front Axle		kg	5990	7725
	33			Rear Axle		kg	975	955
	34		Unladen	Front Axle		kg	1785	2070
	35			Rear Axle		kg	2680	3110
Power&Transmission	36	Battery	Voltage/Capacity		V/Ah	12/90	12/90	
	37	Engine	Model			4TNE98-BQFLC		
	38		Manufacture			YANMAR		
	39		Rated output/r.p.m.		Kw	42.1/2300		
	40		Rated torque/r.p.m.		N.m	186-206/1700		
	41		No. of cylinder			4		
	42		Bore×Stroke		mm	98×110		
	43		Displacement		L	3.318		
	44		Fuel tank capacity		L	55		
	45	Transmission	Manufacture			China		
	46		Type			YQXD30-XH	YQXD40MKS-XH	
	47		Stage	F/R			1/1	
	48	Operating pressure(For attachments)		Mpa	20			
49	Min. right angle stacking aisle width		mm	2615				