



Go everywhere...

- High precision driving & smoothness
- Quick machine
- Comfort & agility
- Indoor / outdoor rated (Versatile)
- Easy access to the platform
- Smart transportability & lifting

... With the best value for money

- Robust machine
- Smart mast system
- Minimal maintenance & downtime
- Direct electric drive with brushless AC motors
- Easy access to components
- Haulotte Activ'Screen (onboard diagnostic)



STAR 6

VERTICAL MASTS

TECHNICAL DATA

STAR 6

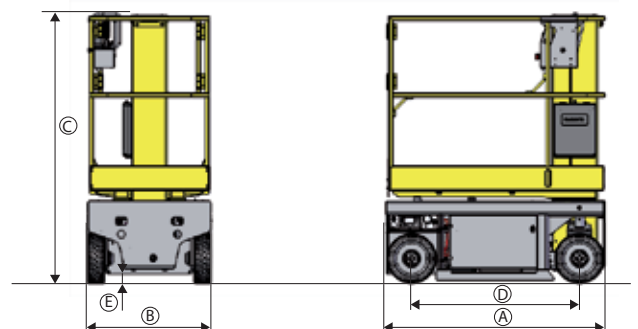
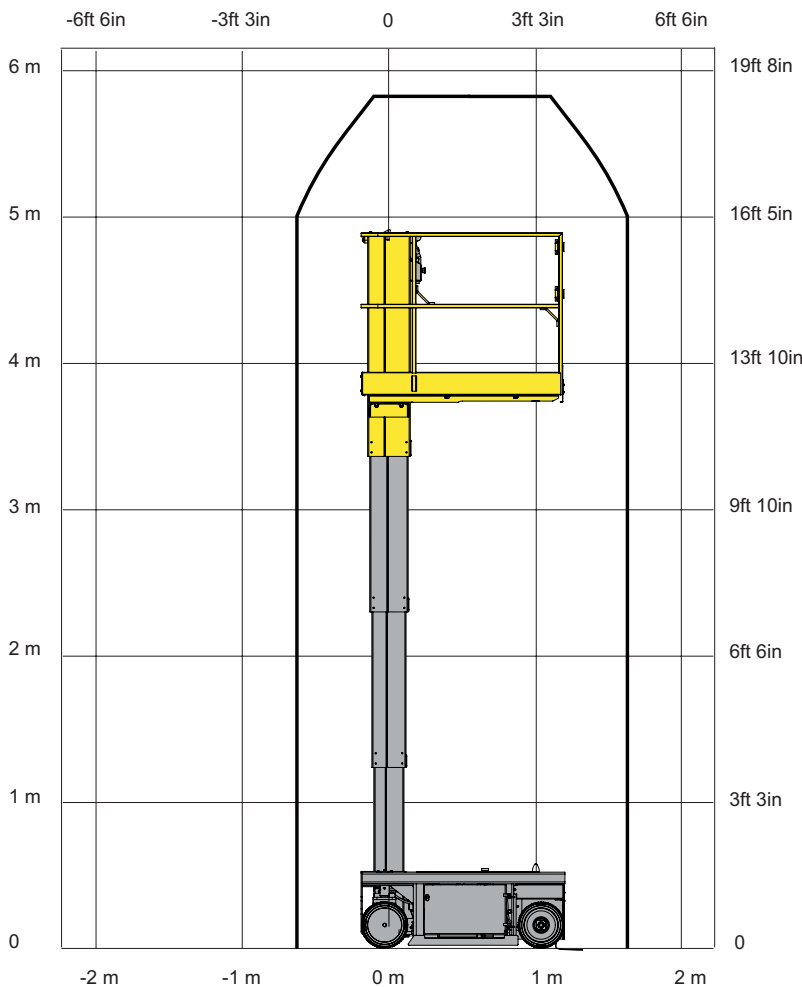
Working height	5.8 m
Platform height	3.8 m
Lift capacity	230 kg
Platform size	0.77 x 1.38 m
A Length	1.4 m
B Width	0.79 m
C Height - stowed	1.75 m
D Wheelbase	1.06 m
E Ground clearance	6 cm
Drive speed proportional	0.8 - 4.5 km/h
Turning radius - outside	1.7 m
Tilt alarm	1.5 ° / 3 °
Gradeability	25 %
Driveable at full height up to	3.8 m
Hydraulic system capacity	5 l
Tires - non marking	308 x 108
Power source	12V - 105 Ah (C5)
Weight	835 kg

STANDARD EQUIPMENT

- 24 V electric drive brushless AC motors
- 12 V - 105 Ah traction batteries
- 20 A battery charger
- Battery charge indicator
- Haulotte ACTIV'Screen
- Fork lifting eyes
- Hoisting and lifting eyes
- Swing door entry gate
- Mobile potholes
- 2 drive speed
- 2 front steering wheels
- 2 rear driving wheels
- Non marking tires
- Brake release
- Hourmeter
- Horn
- Travel alarm
- Emergency stop
- Emergency hand pump
- 2 control stations at cage and ground level
- Mobile upper control box
- 2 towing hooks
- Walkable protection plinth

OPTIONS AND ACCESSORIES

- Platform extension deck +0.4 m
- Flashing light
- Power line in platform
- Ground-fault circuit interrupter 30 mA
- Hydraulic oil for cold countries
- Biodegradable oil
- Upper control box protection cover
- Fluorescent tube caddy
- Tool tray
- Maintenance-free batteries



xxxxxxxx - Non contractual document - We reserve the right to modify the technical characteristics of this document without notice - 10/2015

