

ES SERIES

ELECTRIC SCISSOR LIFTS



Performance

| | |
|--------------------------------|----------------|
| Platform Height—Elevated | |
| 1930ES | 5.72 m |
| 2032ES | 6.10 m |
| 2632ES | 7.77 m |
| 2646ES | 7.92 m |
| 3246ES | 9.68 m |
| Platform Capacity | |
| 1930ES | 230 kg |
| 2032ES | 360 kg |
| 2632ES | 230/360 kg |
| 2646ES | 450 kg |
| 3246ES | 320/450 kg |
| Capacity on Platform Extension | 120 kg |
| Lift/Lower Time | |
| 1930ES | 26/30 seconds |
| 2032ES | 28/40 seconds |
| 2632ES | 33/37 seconds |
| 2646ES | 41/50 seconds |
| 3246ES | 55/62 seconds |
| Maximum Drive Height | Fully Elevated |
| Weight* | |
| 1930ES | 1,575 kg |
| 2032ES | 2,000 kg |
| 2632ES | 2,145 kg |
| 2646ES | 2,765 kg |
| 3246ES | 2,940 kg |
| Drive Speed—Elevated | 0.8 km/h |
| Drive Speed—Lowered | |
| 1930ES | 4.82 km/h |
| 2032ES/ 2632ES | 4.43 km/h |
| 2646ES/ 3246ES | 4.00 km/h |
| Gradeability | 25% |
| Turning Radius (Inside) | Zero |
| Turning Radius (Outside) | |
| 1930ES | 1.75 m |
| 2032ES/ 2632ES | 2.06 m |
| 2646ES/ 3246ES | 2.41 m |

* Certain options or country standards will increase weight.

Standard Specifications

Power Source

| | | |
|-----------|------------------|-----|
| Batteries | 4x6V 220 amp-hr | |
| Charger | 20 Amp Automatic | |
| Drive | 24V Electric | 8hp |

Hydraulic Reservoir

| | |
|----------------------|-------------------------|
| • Capacity | |
| 1930ES/2032ES/2632ES | 4.73 L |
| 2646ES/3246ES | 6.4 L |
| • Pump | Fixed Displacement Gear |

Tyres

| | |
|-----------------------------|--------------------------------|
| • Tyre Size/Type | |
| 1930ES | 12.5 x 4 in. Non-Marking Solid |
| 2032ES/2632ES/2646ES/3246ES | 16 x 5 in. Non-Marking Solid |

Brakes

- Electric/Friction



Standard Features

- Proportional Controls
- Industry Leading Duty Cycles
- Self Closing and Locking Gate
- Battery Condition Indicator
- Fold-Down Guard Rails¹
- Slide-Out Battery Trays
- Automatic Traction Control (ATC)
- All Motion Alarm
- 20 Amp Automatic SCR Charger
- Horn
- Hourmeter
- Manual Descent Pull Cable
- Tilt Alarm and Light
- Moveable, Removable Platform Control
- Powder-Coated
- Console with Rail Mounting Bracket
- Nickel Plated Pins
- Lubrication Free Scissor Arm Bushings
- Scissor Maintenance Prop
- Mechanised Pothole Protection
- Machine Tie Downs
- Fork Lift Pockets, Lift from Side and Rear
- Flashing Amber Beacon
- Load Sensing System
- Lifting Lugs

Accessories & Options

- AC Outlet in Platform
- White Noise (squawker) Motion Alarm
- AGM Batteries
- Airline to Platform
- Special Hydraulic Oils
- Accessory Packages:
 - Electrician's Package
 - Plumber's Package
 - JLG® Workstation
 - Panel Carrier Accessory¹
 - Pipe Rack Accessory¹
 - Plant Maintenance Package

1. Not available on the 1930ES.

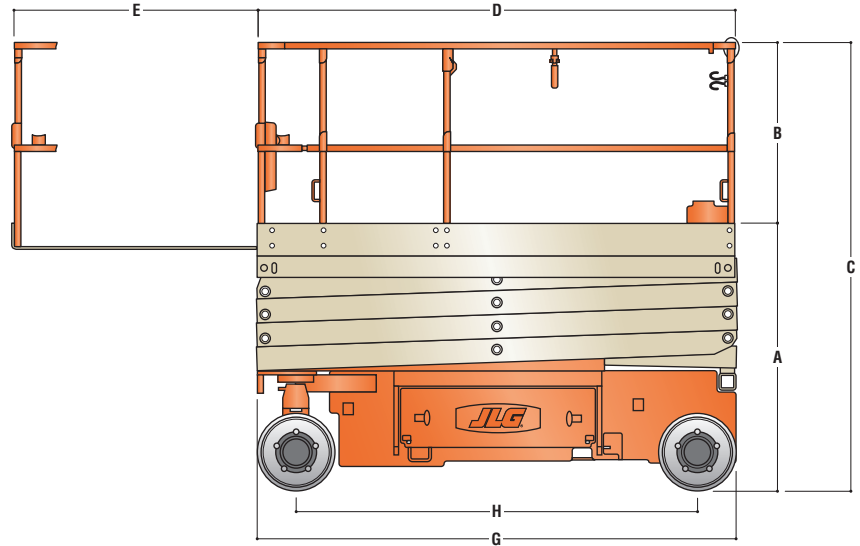
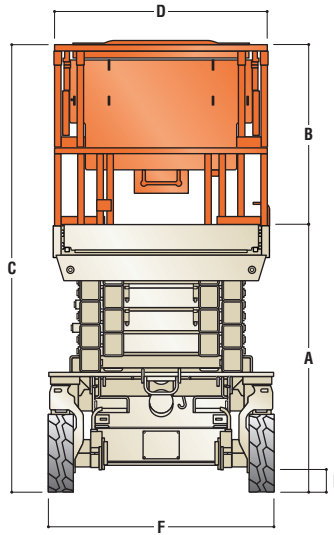
ES SERIES

ELECTRIC SCISSOR LIFTS



Dimensions

All dimensions are approximate.



A. Platform Height—Lowered

| | |
|--------|--------|
| 1930ES | 0.86 m |
| 2032ES | 1.10 m |
| 2632ES | 1.23 m |
| 2646ES | 1.26 m |
| 3246ES | 1.26 m |

B. Platform Railing Height

| | |
|-----------|--------|
| ES Series | 1.14 m |
|-----------|--------|

C. Overall Height—Rails Lowered

| | |
|---------------|--------|
| 1930ES | N/A |
| 2032ES | 1.80 m |
| 2632ES | 1.94 m |
| 2646ES/3246ES | 1.97 m |

D. Platform Size

| | |
|---------------|---------------|
| 1930ES | 0.76 x 1.87 m |
| 2032ES/2632ES | 0.76 x 2.3 m |
| 2646ES/3246ES | 1.12 x 2.5 m |

E. Platform Extension

| | |
|----------------------|--------|
| 1930ES/2032ES/2632ES | 0.9 m |
| 2646ES/3246ES | 1.27 m |

F. Overall Width

| | |
|---------------|--------|
| 1930ES | 76 cm |
| 2032ES/2632ES | 81 cm |
| 2646ES/3246ES | 1.17 m |

G. Overall Length

| | |
|---------------|--------|
| 1930ES | 1.87 m |
| 2032ES/2632ES | 2.3 m |
| 2646ES/3246ES | 2.5 m |

H. Wheelbase

| | |
|---------------|--------|
| 1930ES | 1.6 m |
| 2032ES/2632ES | 1.88 m |
| 2646ES/3246ES | 2.09 m |

I. Ground Clearance

| | |
|----------------------|---------|
| 1930ES/2032ES/2632ES | 8.8 cm |
| 2646ES/3246ES | 12.7 cm |



www.jlg.com.au/ES-Scissor1



The JLG "2 & 5" Warranty

JLG Industries, Inc. backs its products with its exclusive "2 & 5" Warranty. We provide coverage on all products for two (2) full years and cover all specified major structural components for five (5) years. Due to continuous product improvements, we reserve the right to make specification and/or equipment changes without prior notification. This machine meets or exceeds AS/NZS 1418.10 2011 as originally manufactured for intended applications.

JLG Industries (Australia)

358 Park Road
Regents Park, NSW 2143
Telephone 02 8718 6300
Fax 02 8718 6377

www.jlg.com.au

An Oshkosh Corporation Company